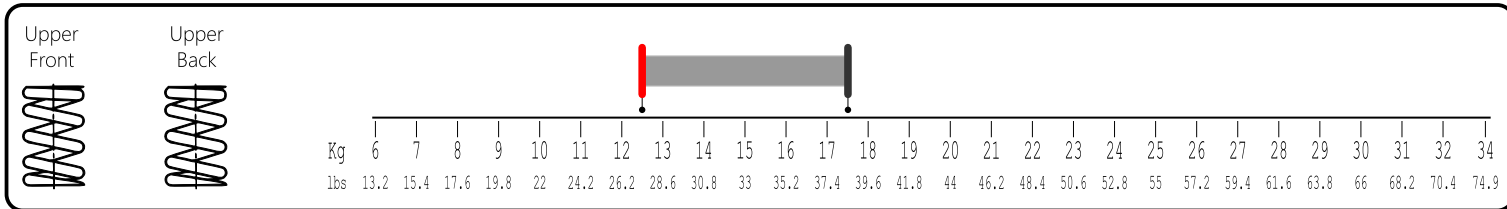
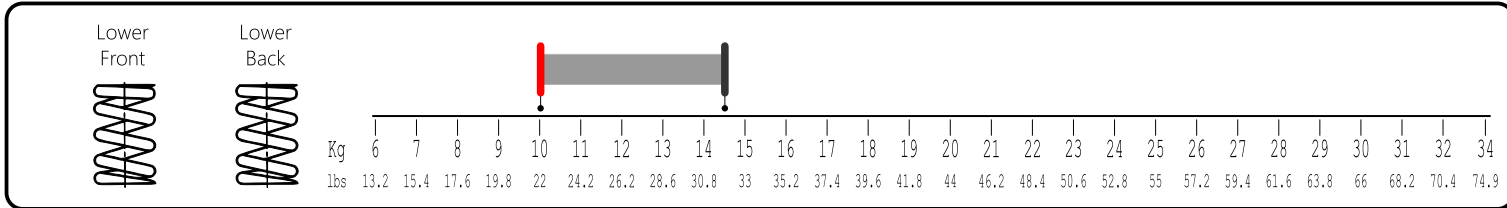
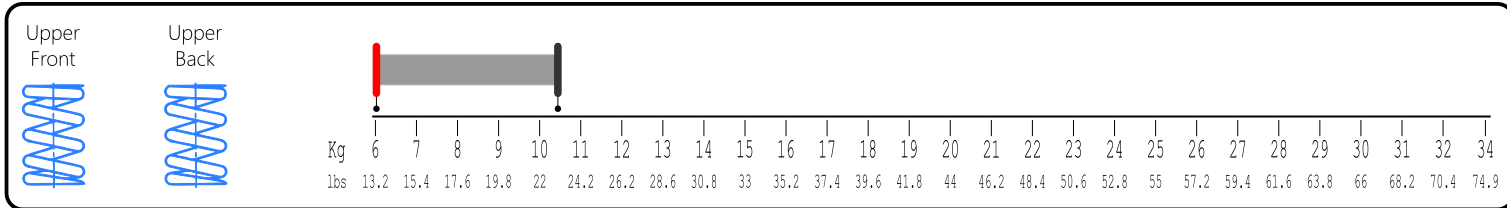


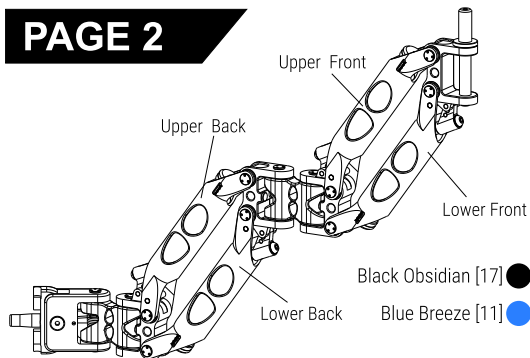
Black Obsidian [17] ●

Blue Breeze [11] ●

To use this load chart effectively, locate your sled's weight on the chart to determine the optimal spring combination for your needs. It is crucial that the springs are compressed for proper functionality. Always select a spring setup that matches your load requirements—avoid choosing a more powerful combination than necessary. To better understand the differences between springs, each one is labeled with its specific force grade.

If your chosen spring configuration is close to a red setpoint indicator on the chart, opt for the combination with greater preload and fewer springs rather than one with more springs and less preload. This approach ensures optimal performance and safety.





Black Obsidian [17] ●

Blue Breeze [11] ●

To use this load chart effectively, locate your sled's weight on the chart to determine the optimal spring combination for your needs. It is crucial that the springs are compressed for proper functionality. Always select a spring setup that matches your load requirements—avoid choosing a more powerful combination than necessary. To better understand the differences between springs, each one is labeled with its specific force grade.

If your chosen spring configuration is close to a red setpoint indicator on the chart, opt for the combination with greater preload and fewer springs rather than one with more springs and less preload. This approach ensures optimal performance and safety.

