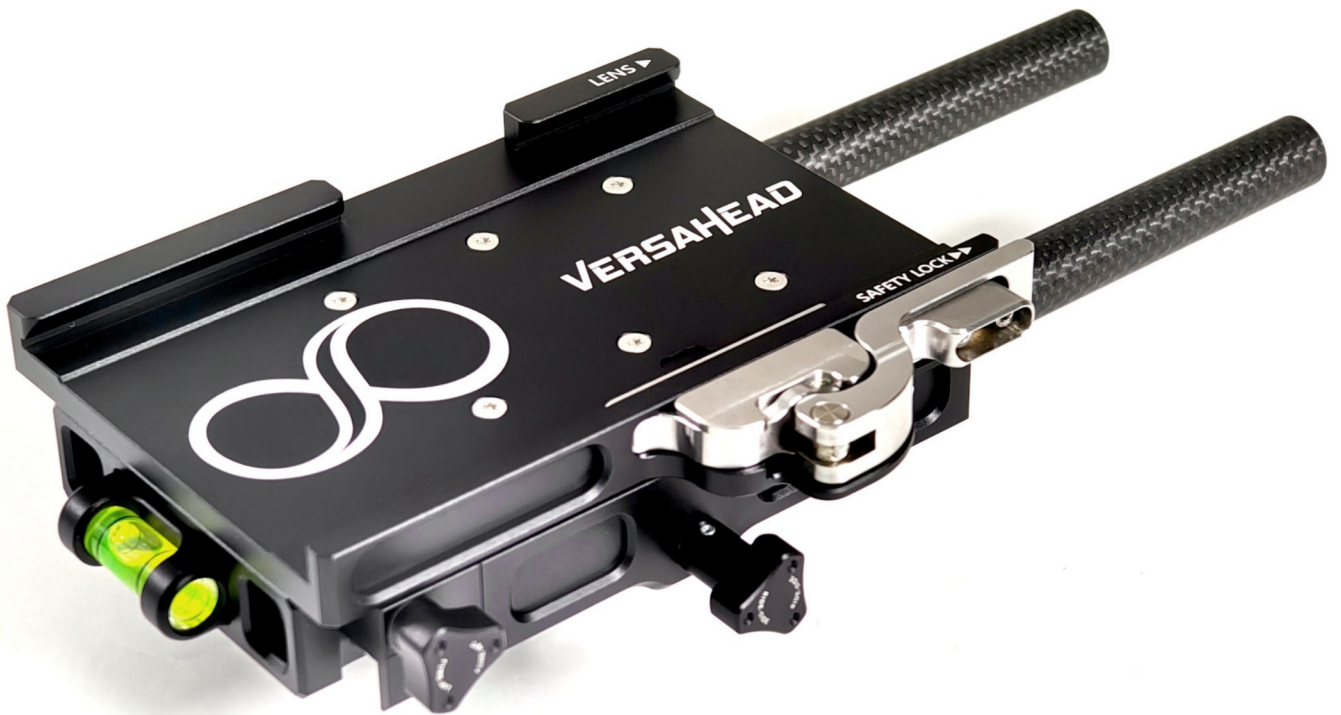


# **VERSAHEAD**

USER MANUAL

v.1.0



***smartsystem***

MADE IN ITALY

Trademarks registered at the PATENT and TRADEMARKS office. All Right Reserved

## Main Index

1	Safety.....	3
2	Packing List.....	3
3	Matrix sled installation.....	3
4	Locking system.....	6
5	Adjusting VersaHead for Third-Party Plates.....	8
6	Maintenance.....	9
7	Disposal.....	9
8	Warranty.....	9

## 1 Safety

---

VersaHead has been designed considering all the technical regulations concerning the product.

Please, carefully read the safety instructions and retain for future reference.

- Protect your equipment from heavy dust environments.
- Avoid, if possible, any contact with water or other liquids
- Clean only with a dry cloth or lightly soaked in distilled water.
- Do not use a power supply different from the one provided with the product.
- In case of failure, VersaHead must be repaired only by qualified staff, authorized by SmartSystem Srl.
- Due to the constant effort of product improving, SmartSystem reserve the right to make changes and improvement to the product described in this manual

## 2 Packing List

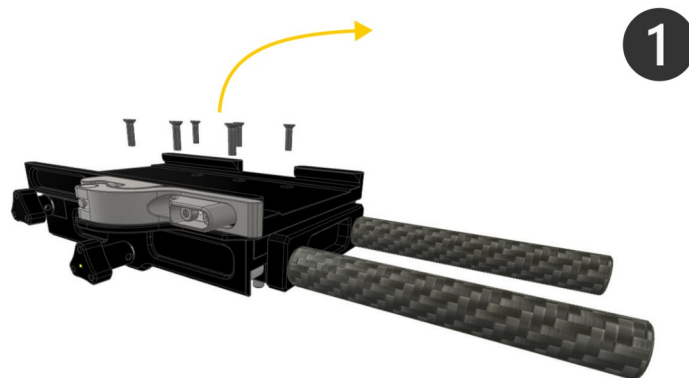
---

- 1x VersaHead Topstage with Standard Camera Plate Bracket
- 4x M5x14 Countersunk screws
- 2x Carbon fiber rods
- 1x Universal Sled to Matrix Adapter (**only in SKU 10003 / EAN 8051411193142**)

## 3 Matrix sled installation

---

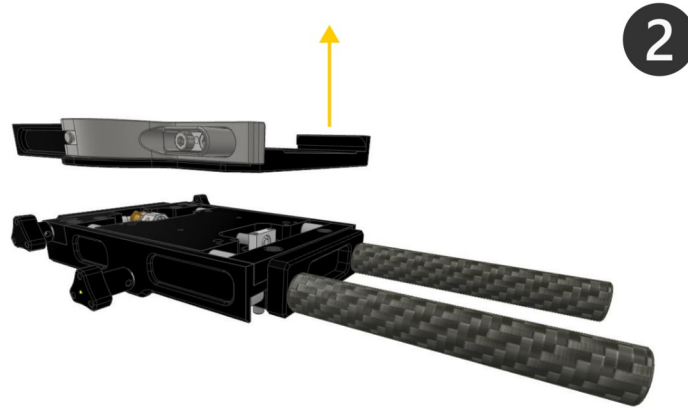
The installation of the VersaHead, a versatile and future-proof top-stage designed for seamless integration with the Matrix sled, is completely straightforward. With its user-friendly design, the VersaHead ensures quick installation and reliable performance for professional stabilization needs.



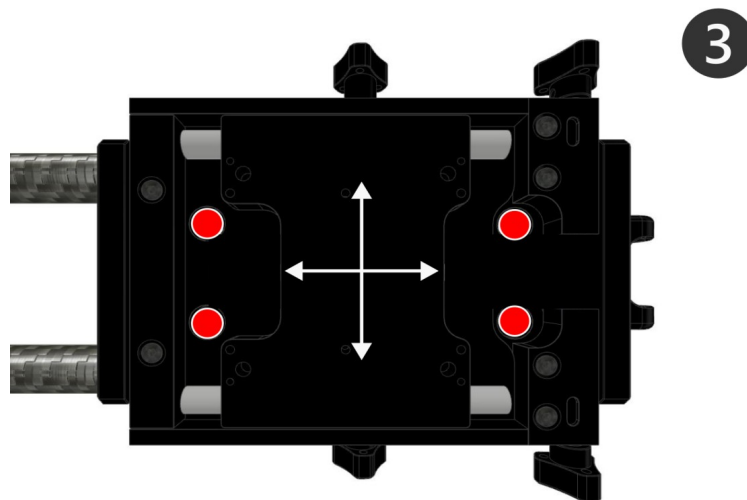

---

**Step 1** : Remove the 6x M3x12 via TX10 key

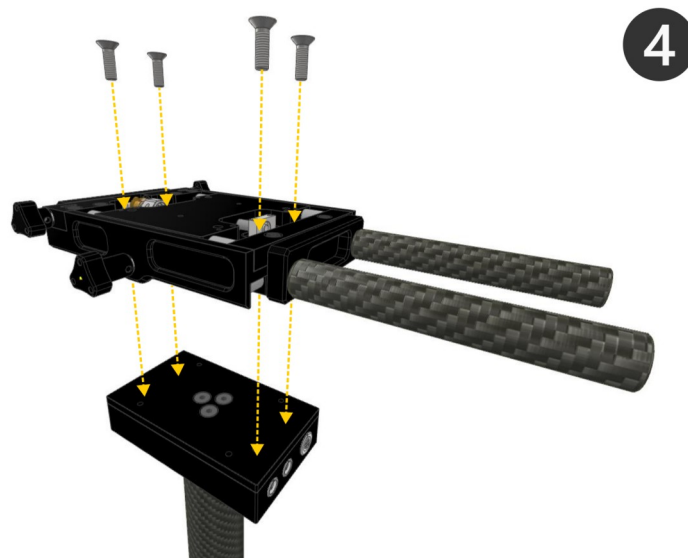
---



**Step 2 :** Gently remove the Standard Camera Plate Bracket

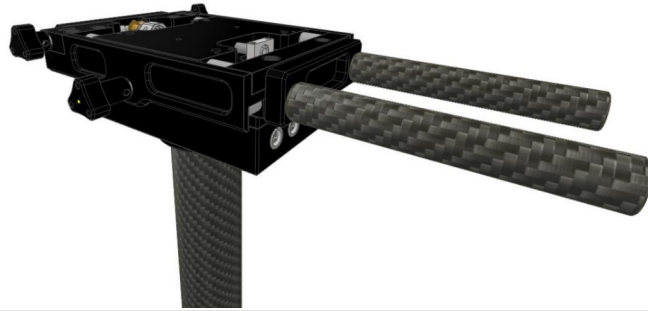


**Step 3 :** Moving via side-to-side and fore-aft, make sure the highlighted holes are aligned



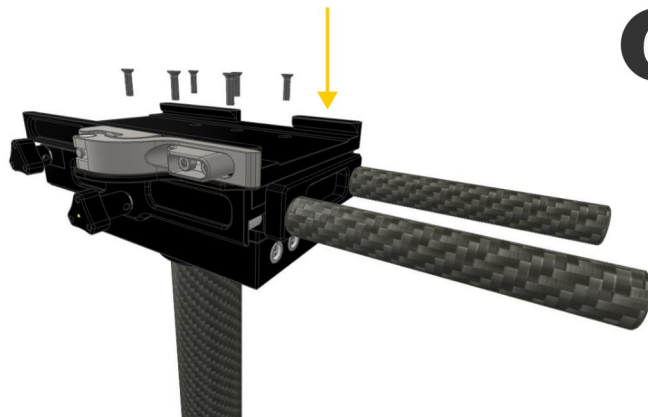
**Step 4 :** Make sure the previously highlighted holes are aligned on the counter part on Matrix sled and insert the 4x M5 screws tighten them with Hex 3 key

5



**Step 5 :** Move sure that everything works testing side-to-side and fore-aft movements

6



**Step 6 :** Reinstall the Standard Camera Plate Bracket securing it via 6x M3x12 using TX10 key

7

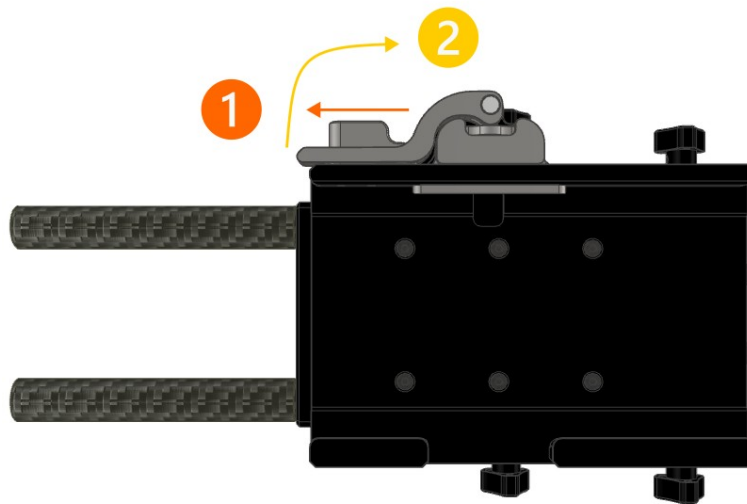


**Step 7 :** Enjoy your new VersaHead topstage

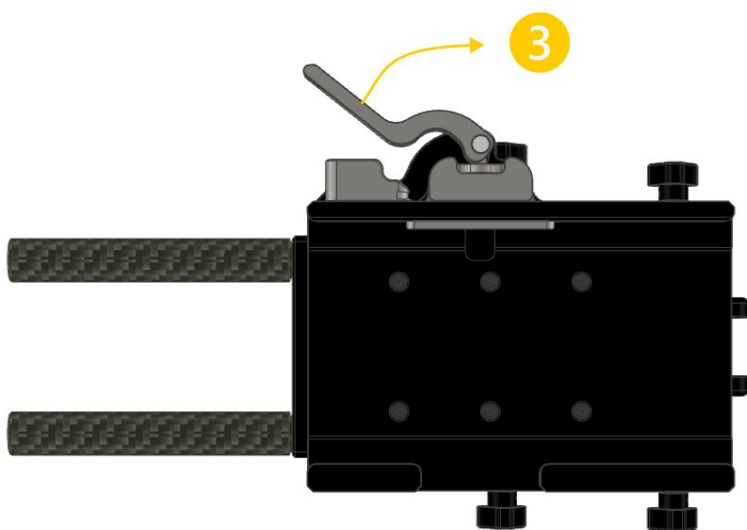
## 4 Locking system

The precision-engineered design of VersaHead includes an automatic locking system and adjustable components to ensure compatibility with a wide range of camera plates. The fail-safe mechanism guarantees stability even during setup, while still allowing smooth adjustments when needed.

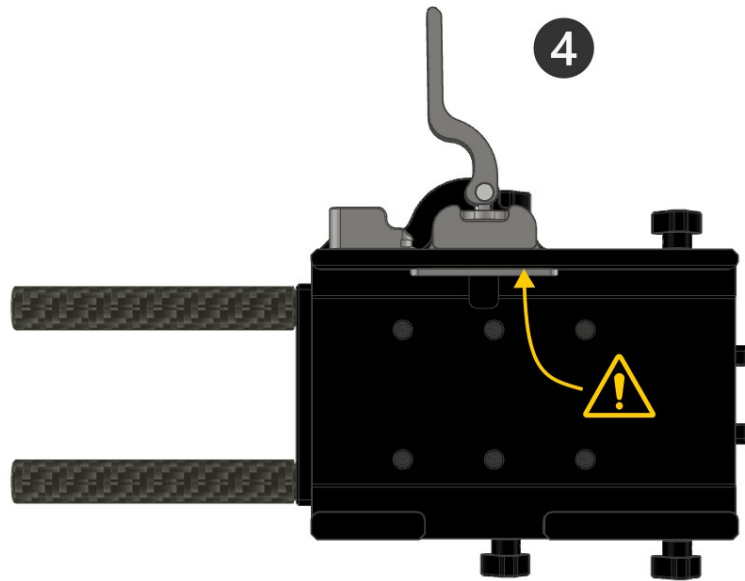
To disengage a Camera Plate, just follow these simple passages:



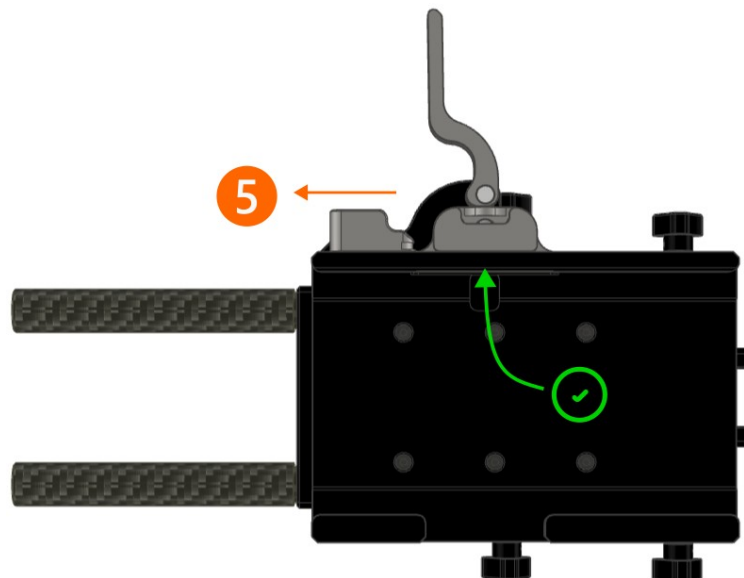
Simultaneously slide the Safety Lock (indicated in orange) and rotate the Locking Lever (highlighted in yellow) as illustrated.



Keep rotating the Locking Lever as shown until it is perpendicular to the side of the VersaHead.



Even when the lever is fully disengaged, the plate locking carriage remains in a position that allows the camera plate to move while still keeping it securely engaged.



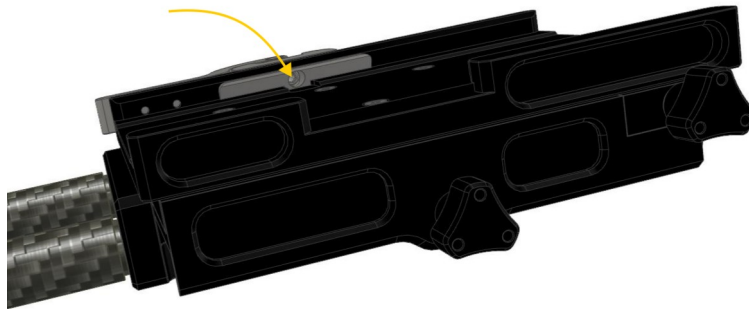
To fully disengage the locking carriage, use the Safety Lock as indicated in orange.

## 5 Adjusting VersaHead for Third-Party Plates

Versahead, initially designed to accommodate standard camera plates prevalent in industries like Steadicam, offers a versatile solution.

While SmartSystem developed their own camera plates to centralize dimensions from various manufacturers, including Steadicam®, GPI®, Betz, and Camtec®, slight variations in tolerances among these plates can sometimes arise.

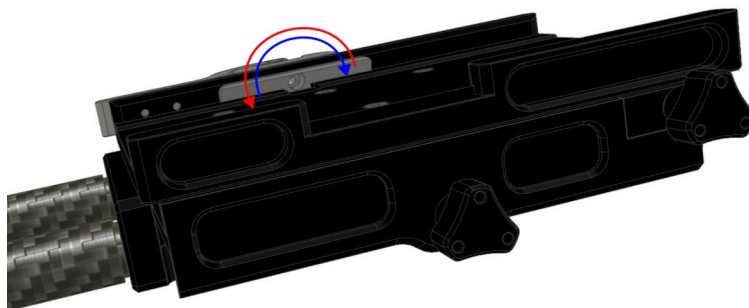
To address this, Versahead can be adjusted to seamlessly integrate with both SmartSystem's proprietary plates and those from other manufacturers, ensuring compatibility and flexibility.



Once the locking system is fully engaged, identify the trimming screw, as illustrated in the accompanying image.

Achieving the ideal fit with third-party plates can require meticulous adjustments. To ensure a secure connection, mount the plate onto VersaHead, engage the locking lever fully, and verify that both the lever is completely closed and the plate is firmly secured in place.

If the locking lever fails to engage, carefully rotate the trimming screw counterclockwise in increments of 1/16 turn (as indicated in red). After each adjustment, check if the lever can now be securely locked. Conversely, if the plate slides out despite the lever being fully engaged, turn the trimming screw clockwise by 1/16 turn and reassess the fit (as indicated in blue).



Red for counterclockwise operation – Blue for clockwise operation



## **6 Maintenance**

---

Do not use alcohol or other solvents nor detergents to clean your VersaHead. To clean metal components, we recommend you to use a paper towel lightly soaked in distilled water. Make sure no water drops reaches the inside components of VersaHead.

## **7 Disposal**

---

Dispose of your VersaHead in accordance with current regulations. Address to special authorities or companies in charge of scrapping metallic materials and waste disposal.

Illegal dumping of the product by the user entails application of the administrative sanctions stated in the Italian Legislative Decree No. 22/1997 (Article 50 et seq of the Italian Legislative Decree No. 22/1997).

## **8 Warranty**

---

SmartSystem Unipersonale Srl headquarter is located in Via del Commercio, 22F, 61032 FANO(PU), ITALY. Smartsystem main brand and all the other brands associated with it are property of Smart-System Srl Unipersonale.

Your SmartSystem equipment is guaranteed against any manufacturing or material defects for 12 months from the date of delivery to the customer. Warranty will cover any functioning issues related to manufacturing or material faults.

In this case, the company reserves the right to decide whether eliminating the defect or providing the customer with a new product.

Any claims due to manufacturing or materials faults must be communicated by the customer, upon presentation of the warranty card, properly completed, or of a proof of purchase.

The warranty, which will expire after 12 months, will not be extended either by a complaint, or by subsequent executions. Damage caused by accident, misuse, do-it-yourself repairs or modification, repair by unauthorized service center, static charges or mechanical damages is not covered by the warranty.

Furthermore, warranty won't be valid neither in case the warranty card is arbitrarily modified.

Repairs must be made only by authorized service centers.

**ALWAYS REQUEST THE RMA NUMBER BEFORE SENDING US THE PRODUCT**